

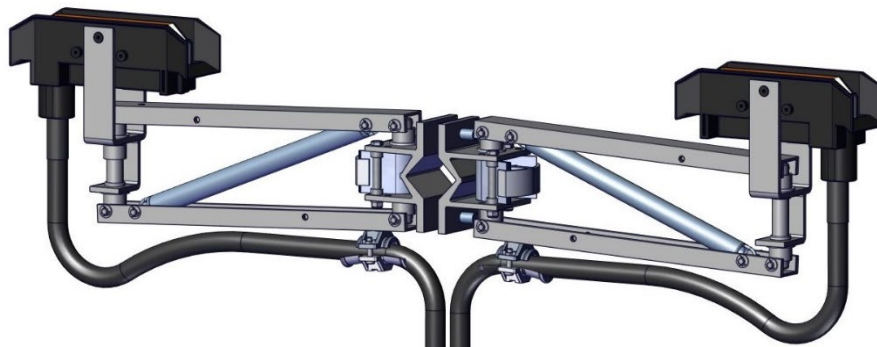
Mounting of End Stop for lateral Insertion for Spring Support SinglePowerLine Program 0813

Order Number:

Single Current Collector: 081303-XX

Double Current Collector: 081303-2X..

End Stop: 08-D002-0716



For current collector insertion from the side: The end stop (Pos. D) ensures that the current collector remains in its neutral position (see Pos. D in Fig. 1).

When the current collector is inserted from the side, the end stop (Pos. D) must always be seated at the bottom!

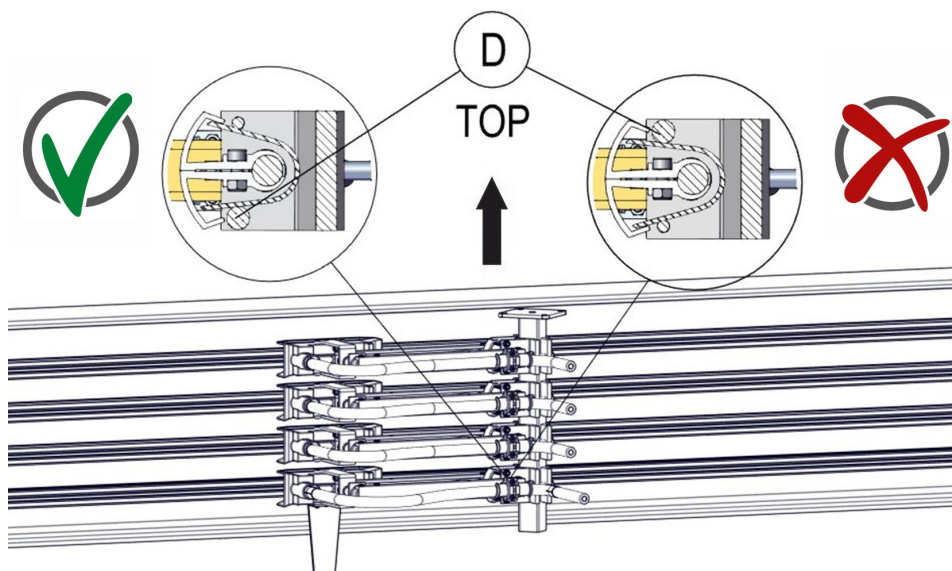


Fig. 1: End stop (Pos. D) is seated on the bottom

Mounting of End Stop for lateral Insertion for Spring Support SinglePowerLine Program 0813

Required Tools:

- Open-end wrench size 17

Working Steps:

- Loosen the hexagon nut with an open-end wrench (size 17). Remove hexagon nut and washer (Pos. 1, see Fig. 2).
- Push the current collector arm backwards to relieve the spring. Fix the current collector arm in this position for mounting the end stop (see Fig. 3).



Risk of injury due to crushing of skin and limbs!

There is a risk of crushing of skin and limbs due to spring force/gravity (stored energy).

- Only allow installation to be conducted by specialized technicians.
- Wear personal protective equipment!

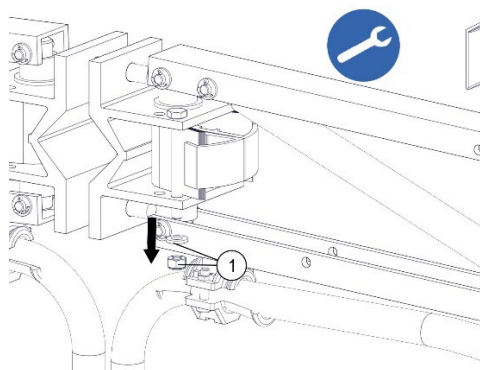


Fig. 2: Loosen the hexagon nut with washer (Pos. 1)

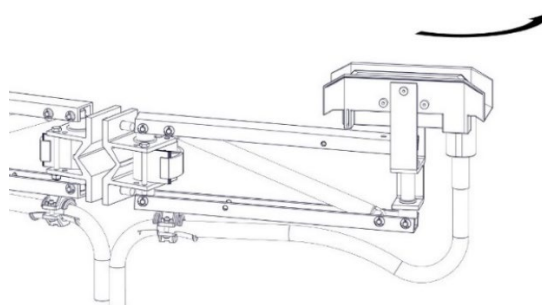


Fig. 3: Push the current collector arm backwards

- Loosen the hexagon head screw (Pos. 3) with an open-end wrench (size 17) and push it upwards. But do not remove it completely (see Fig. 4).

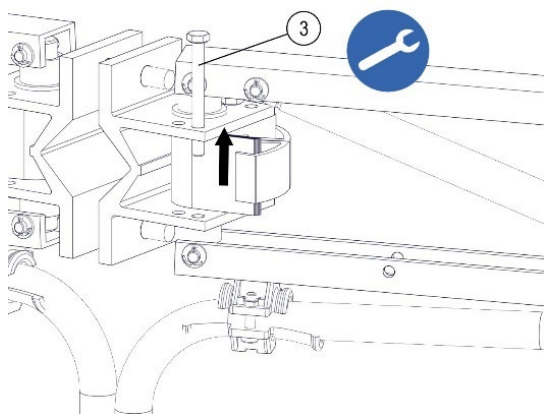


Fig. 4: Loosen the hexagon head screw (Pos. 3)

Mounting of End Stop for lateral Insertion for Spring Support SinglePowerLine Program 0813

→ Place the end stop (Pos. 4) in the gap and push the hexagon head screw (Pos. 3) through (see Fig. 5 and Fig. 6).

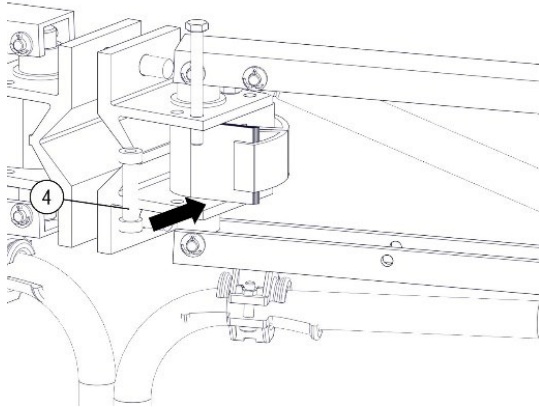


Fig. 5: Place the end stop (Pos. 4)

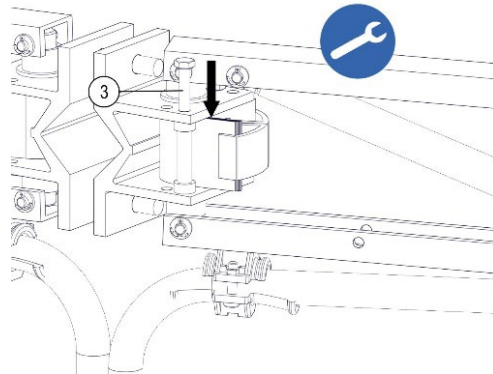


Fig. 6: Push the hexagon head screw (Pos. 3) through the end stop (Pos. 4)

→ Push the current collector arm in its neutral position and tighten the hexagon head nut (Pos. 1) with an open-end wrench (size 17) (see Fig. 7 and Fig. 8).

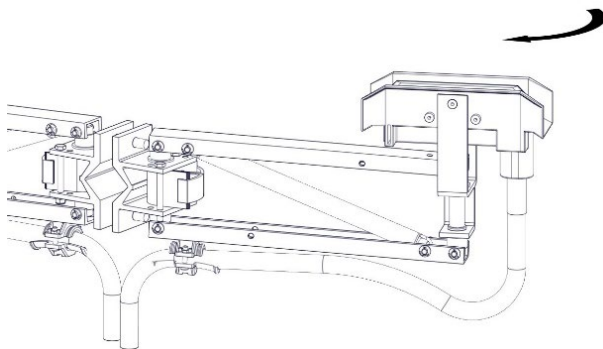


Fig. 7: Push the current collector arm in its neutral position

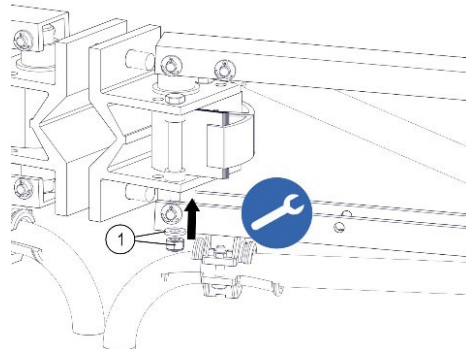


Fig. 8: Tighten the hexagon head nut (Pos. 1)

Mounting of End Stop for lateral Insertion for Spring Support

SinglePowerLine Program 0813

→ Mount each end stop (Pos. 4) in the same way as described. If it is a double current collector, the end stop (Pos. 4) must be mounted on both sides in the same way as described (see Fig. 9 and Fig. 10).

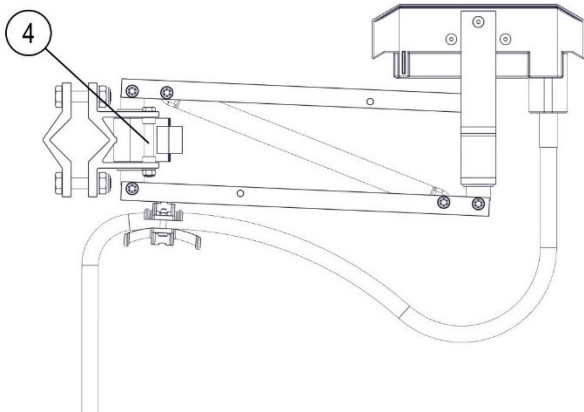


Fig. 9: Single current collector with one end stop (Pos. 4)

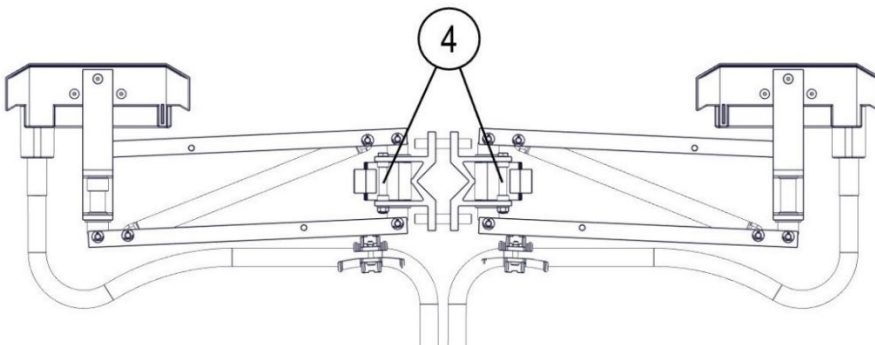
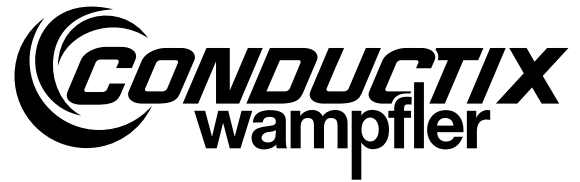


Fig. 10: Double current collector with two end stops (Pos. 4)

Installation Instructions



Mounting of End Stop for lateral Insertion for Spring Support

SinglePowerLine Program 0813

Conductix-Wampfler GmbH
Rheinstraße 27 + 33
79576 Weil am Rhein - Markt
Germany

Phone: +49 (0) 7621 662-0
Fax: +49 (0) 7621 662-144
info.de@conductix.com
www.conductix.com



Importer for the United Kingdom:
Conductix-Wampfler Ltd.
1, Michigan Avenue
Salford
M50 2GY
United Kingdom

Phone: +44 161 8480161
Fax: +44 161 8737017
info.uk@conductix.com
www.conductix.com